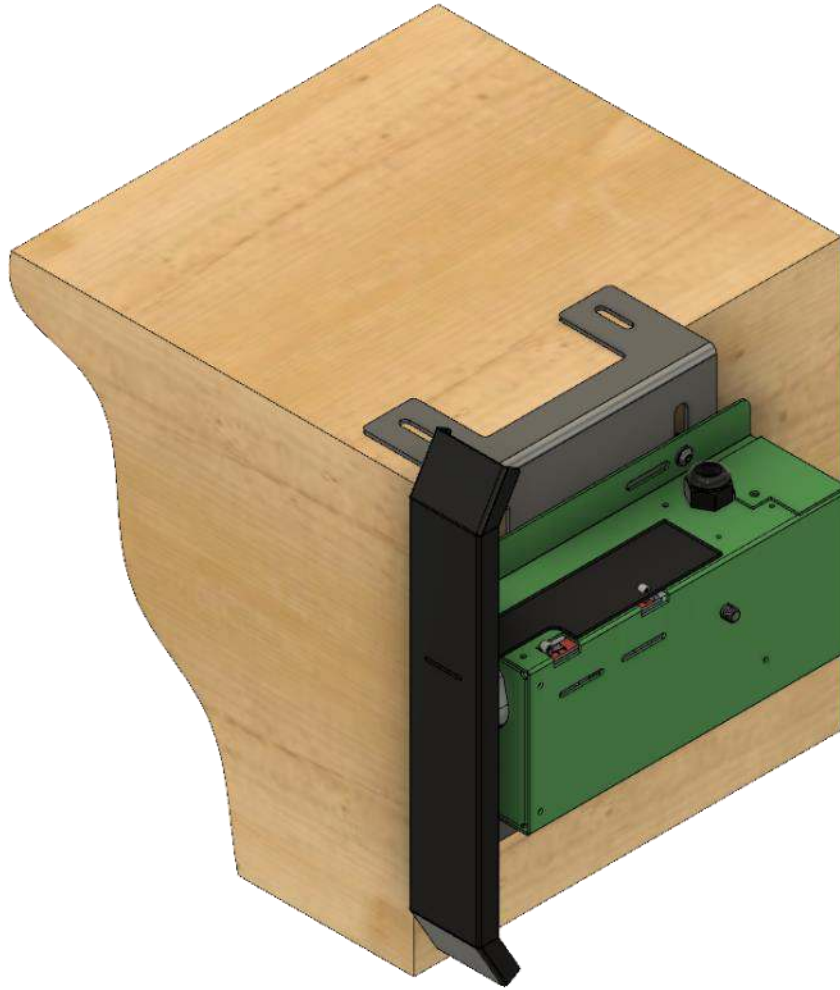




Clockwork™ Retiring Cam

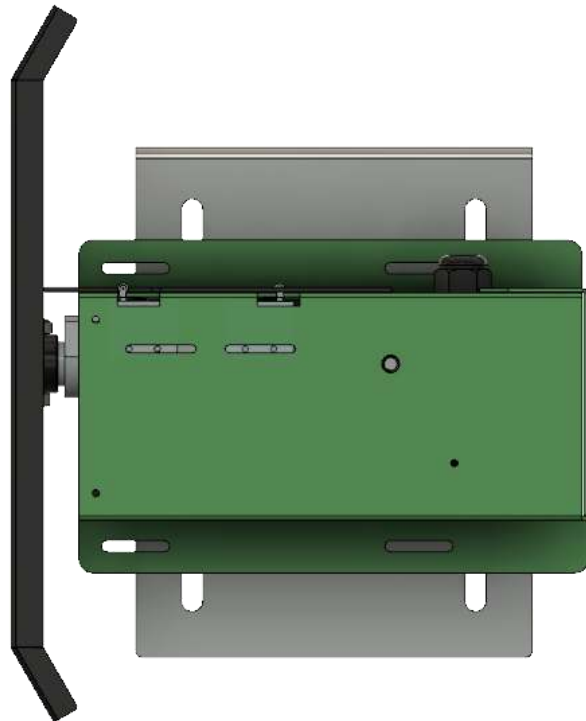


High Force, Fast Action, Clockwork™ Operation

Simply Better by Design

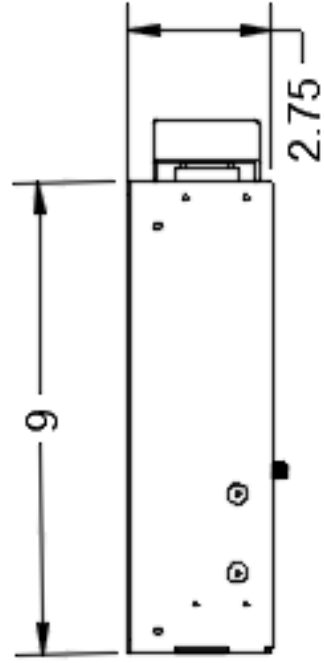
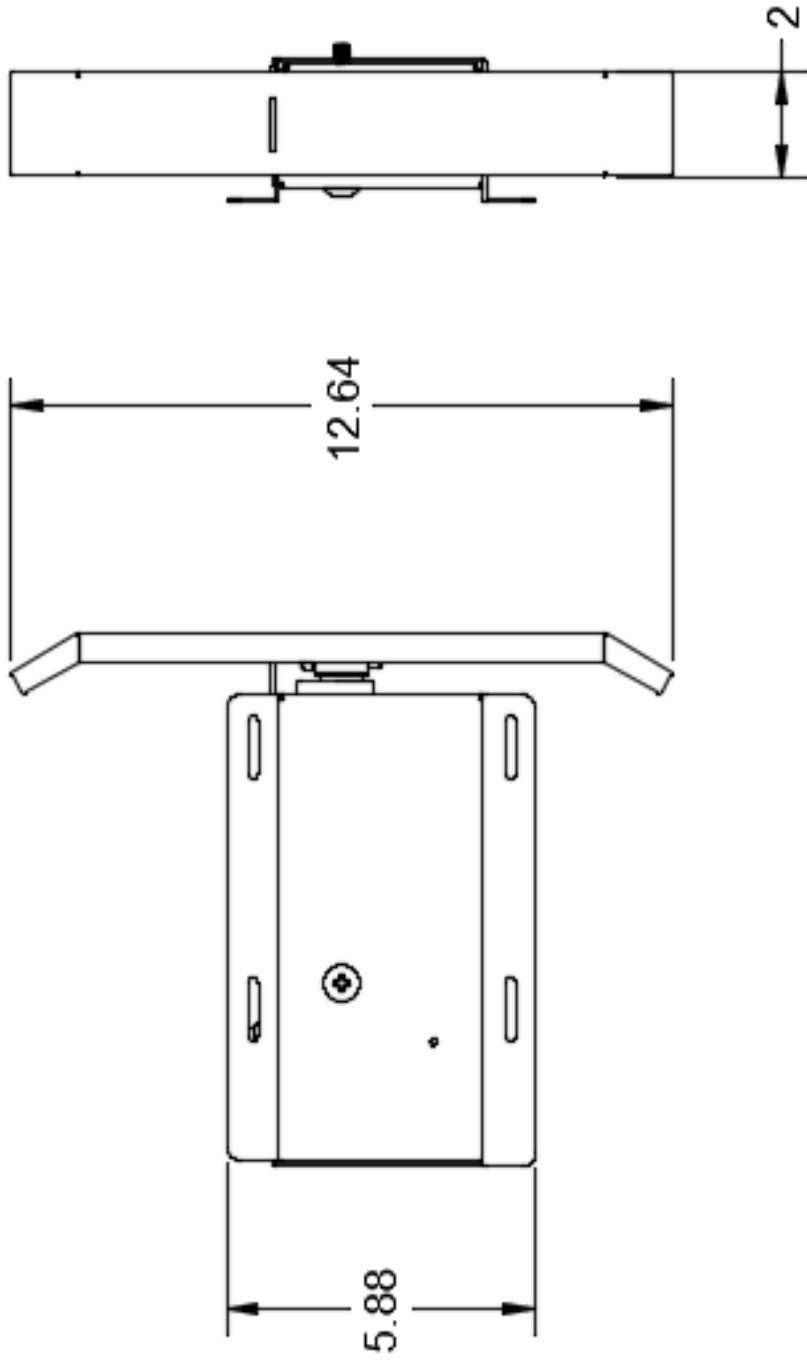
Standard Features

- High Force Output to ensure activation (up to 50lbf, 250N)
- 1 second action
- 1in of extension
- 24VDC Powered
- 3 wire Input
- Low Profile
- 2in wide cam plate
- Full 3-way adjustment
- Side mounting on carriage
- Max 2A Current Draw



Visit WWW.GOODGATE.CA to request a complete gate offering quote today.

Dimensions in Inches



About Good Gate Inc.:

Good Gate Inc was founded on the principles of making better designed products at competitive market prices through the use of advanced manufacturing techniques and streamlined customer experiences.

We aim to delight you with our products and real commitment to customer service. If it isn't right, we will make it so!

Contact Details:

Phone: 780-720-5898

Email: info@goodgate.ca

www.goodgate.ca



Disclaimer:

Good Gate Inc. elevator carriage gates products are designed to meet ASME A17.1/ CSA B44 safety standards when properly installed, tested and maintained. While Good Gate Inc. products meet national standards, it is imperative to check State/ Provincial and Local code requirements before installing to ensure compliance. All State/ Provincial and Local compliance is the responsibility of the purchaser.